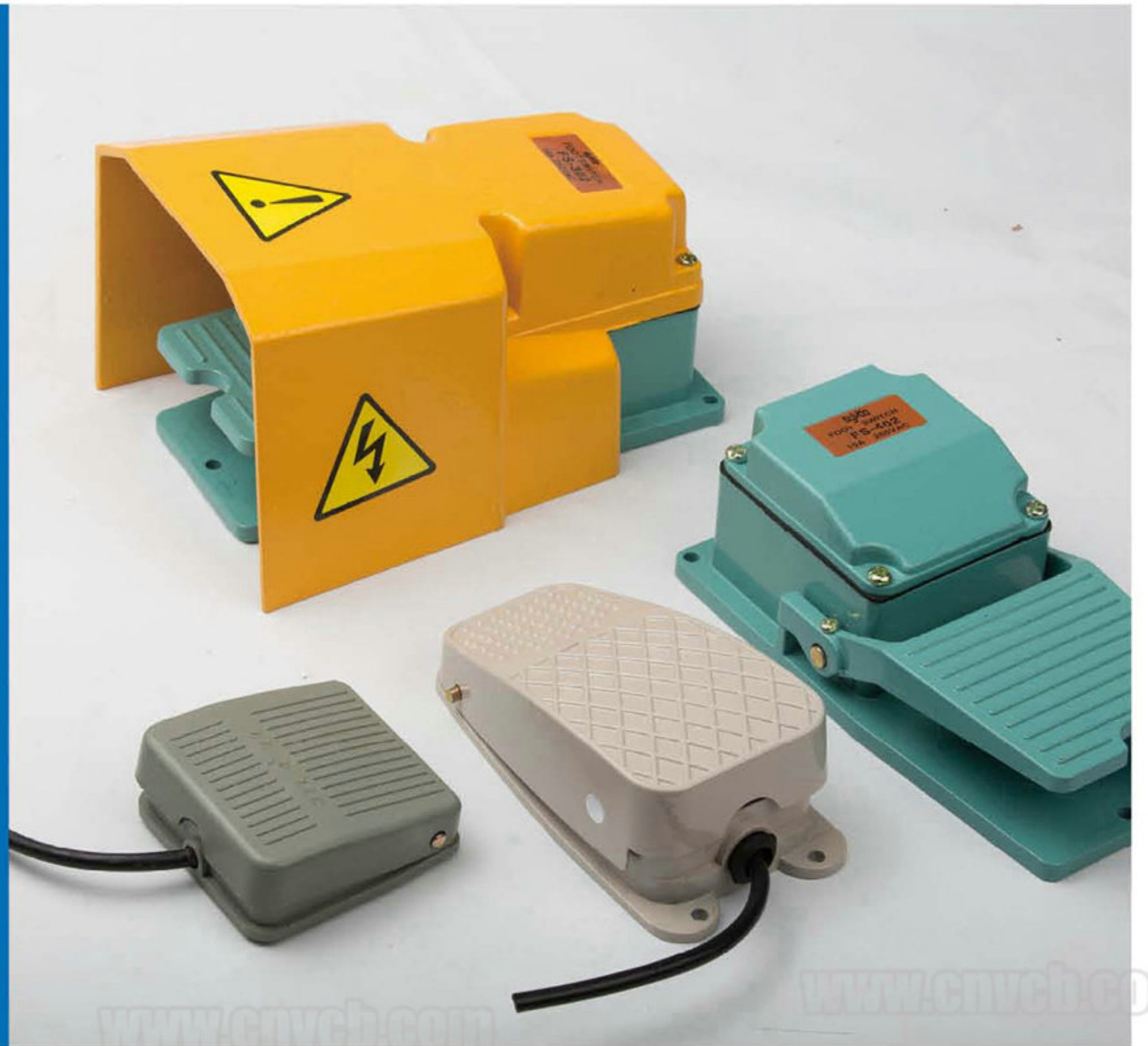


FS 脚踏开关 Foot Switch

特征 Features

塑胶系列外壳
金属系列外壳

接点型式 Contact Form

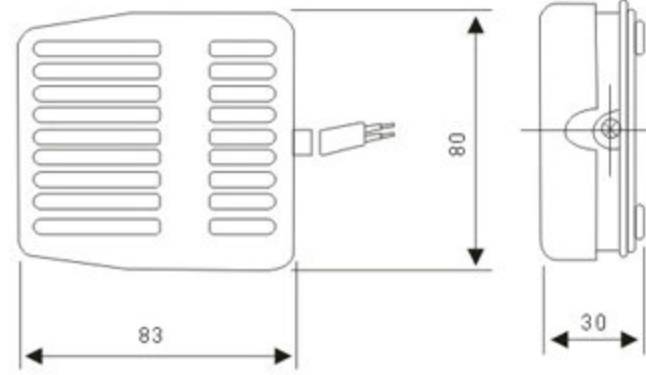


特性 Characteristics

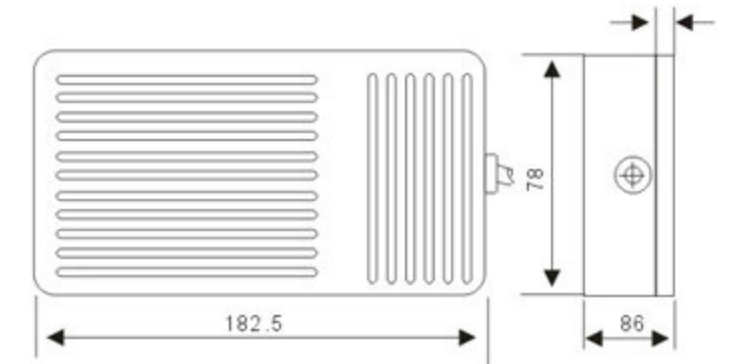
Species	Model	Load	Micro switch type	Cable type/length	Contact	Action pressure	Shell material
Standard type Return type	FS-101	10A 250VAC	Import V type micro switch	0.75mm ² ,3C/0.5 meter 1 meter ~3 meter	1A1B	1.2kg	Plastic
	FS-102	15A 250VAC	CM1704	0.75mm ² ,3C/1 meter 1.5 meter ~2 meter	1A1B	1.1kg	
	FS-3	15A 250VAC	Import V type micro switch	0.75mm ² ,3C/0.5 meter 1 meter ~3 meter	2A2B	1.2kg	Aluminum alloy
	FS-3S	15A 250VAC	CM1704	0.75mm ² ,3C/1 meter 1 meter ~3 meter	2A2B	1.1kg	
Standard type Alternating type	FS-105	6A 250VAC	Import alternating type switch	0.75mm ² ,2C/1 meter 1 meter ~2 meter	PUSH ON PUSH OFF	2kg	Plastic
	FS-106	6A 250VAC	Day alternating type switch	0.75mm ² ,3C/1 meter	PUSH 1A PUSH 1B	1.5kg	
Small attached back stator	FS-201	10A 250VAC	Import V type micro switch	0.5mm ² ,3C/1 meter ~3 meter	1A1B	0.7kg	Plastic
	FS-01	10A 250VAC		0.5mm ² ,3C/1 meter ~3 meter	1A1B	0.7kg	
	FS-1	10A 250VAC		0.5mm ² ,3C/1 meter ~3 meter	1A1B	0.9kg	Iron shell
Protecting cover type	FS-302	15A 250VAC	CM1704	Attached cable fixed head, not attached to the cable	1A1B	3.2kg	Aluminum alloy
	FS-305	6A 250VAC	Import alternating type switch		PUSH ON PUSH OFF	3.1kg	
	FS-306	6A 250VAC	Day alternating type switch		PUSH 1A PUSH 1B	3.5kg	
	FS-502	15A250VAC	CM1704		1A1B	3.2kg	
	FS-602	15A250VAC	Button spring loaded type		2*1A1B	2.8kg	
	FS-702	15A250VAC	CM1704		2*1A1B	3.2kg	
Big type	FS-402	15A250VAC	CM1704	1A1B	3.2kg		
	FS-802	15A 250VAC	CM1704	2*1A1B	3.2kg		



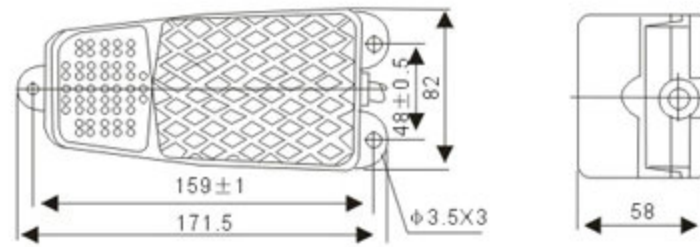
IBFS-201



IBFS-01



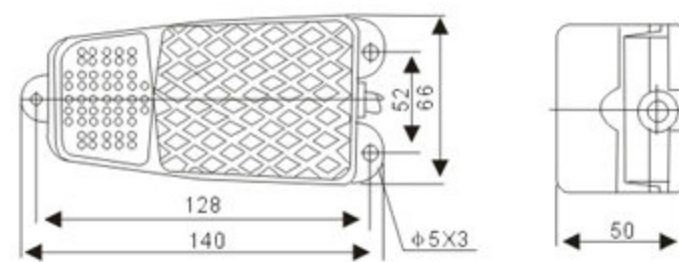
IBFS-101



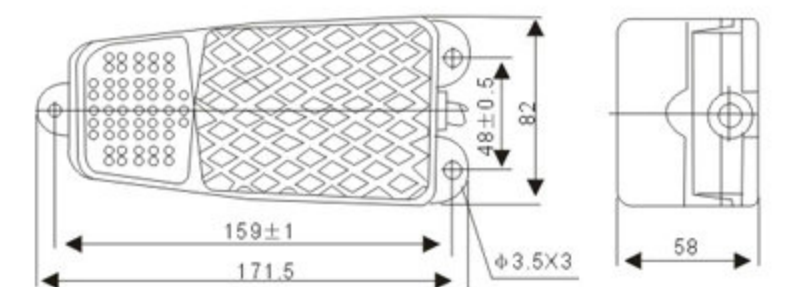
IBFS-1



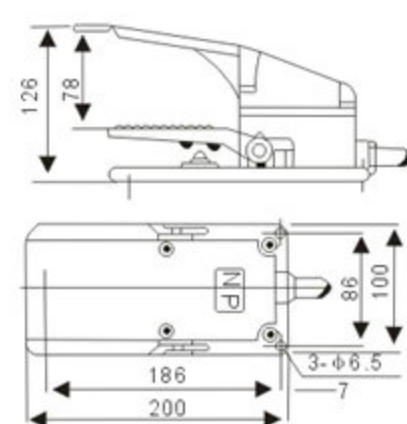
IBFS-2



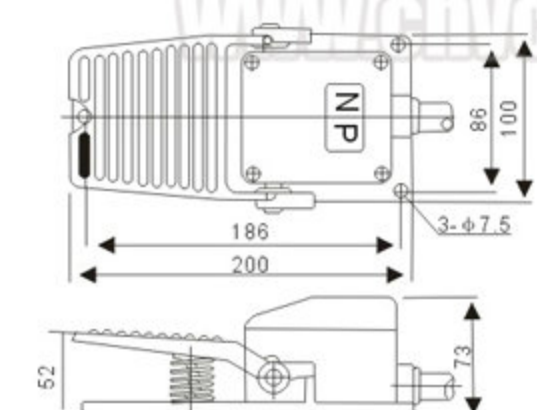
IBFS-3

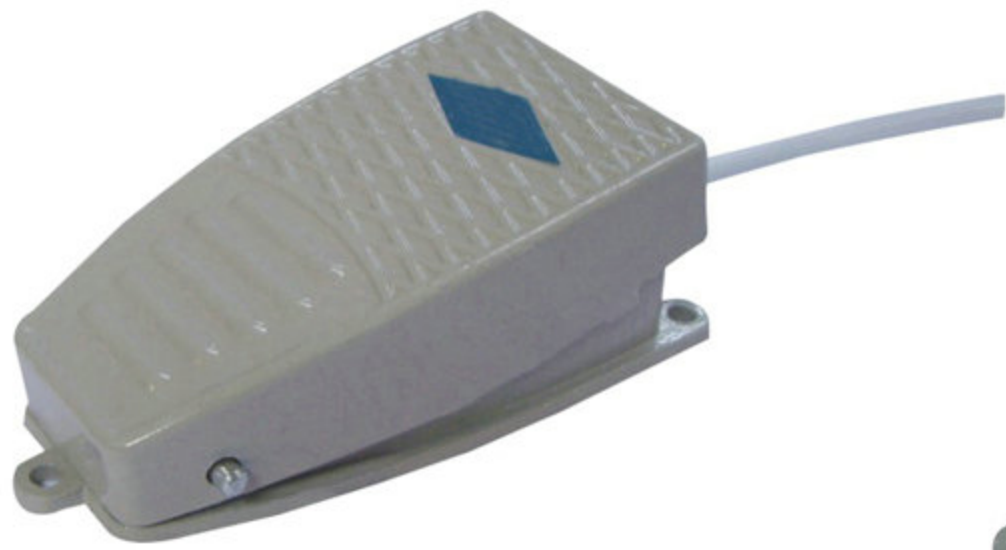


IBFS-302



IBFS-402





IBWK-5A-B



IBFS-20



IBFS-30



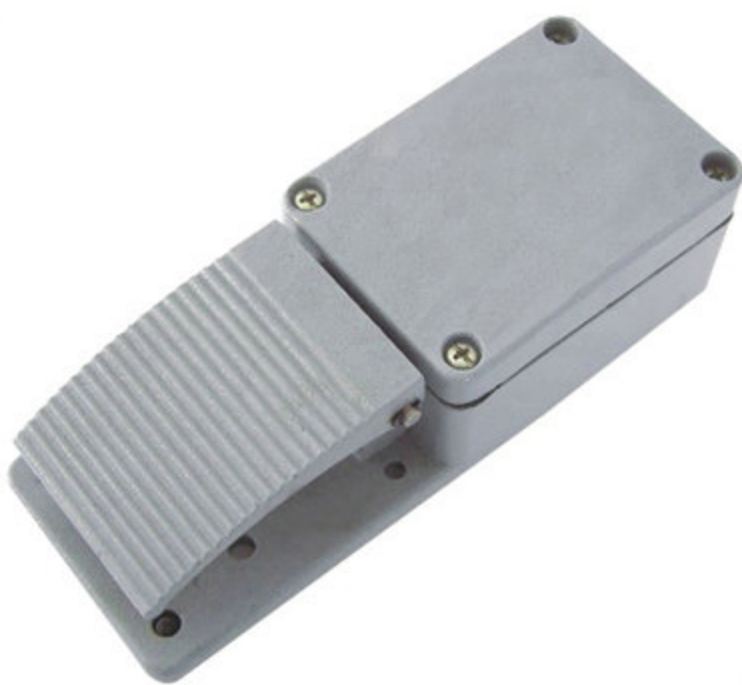
IBLT3



IBLT4



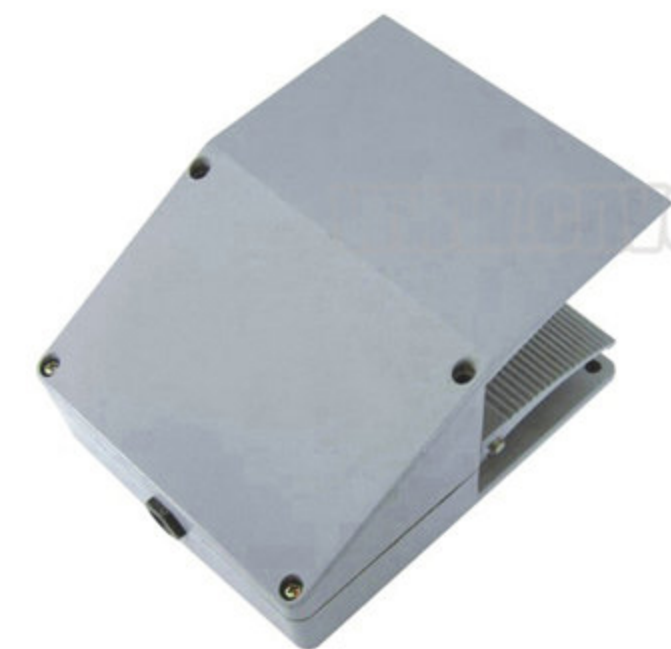
IBLH



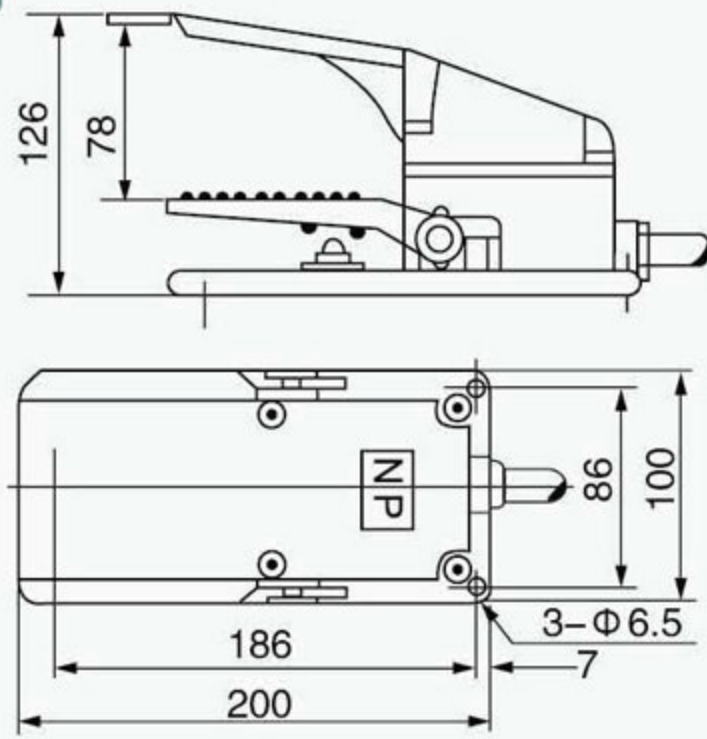
IBT1-17



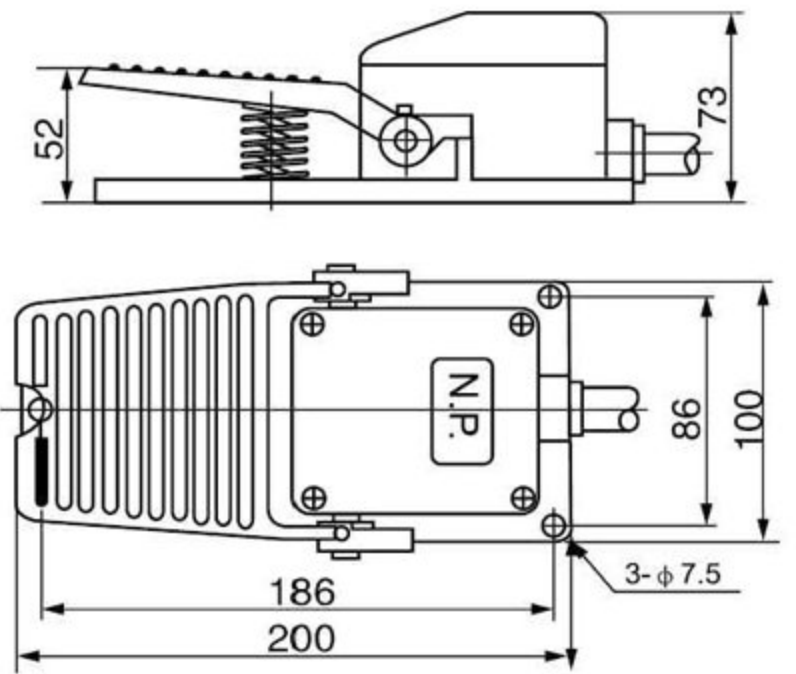
IBT1-15



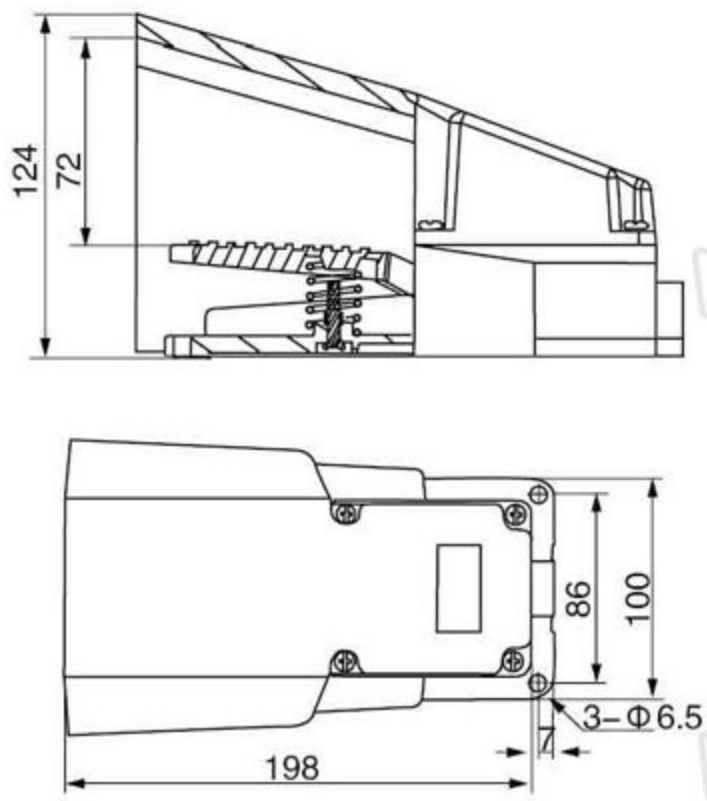
IBT1-16



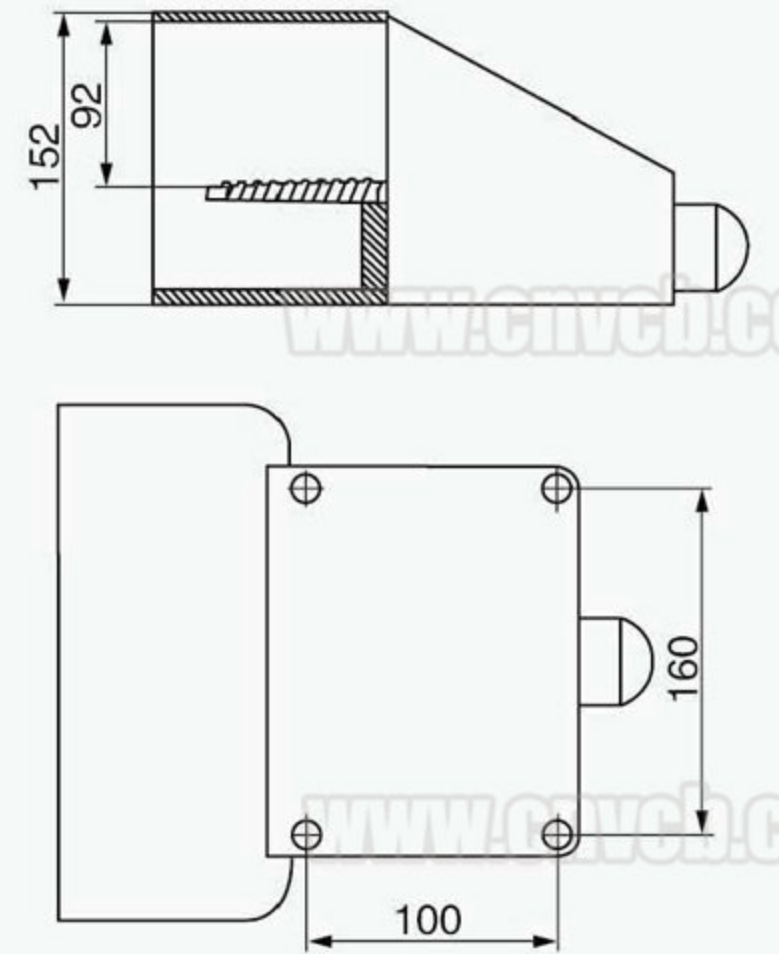
IBFS-302



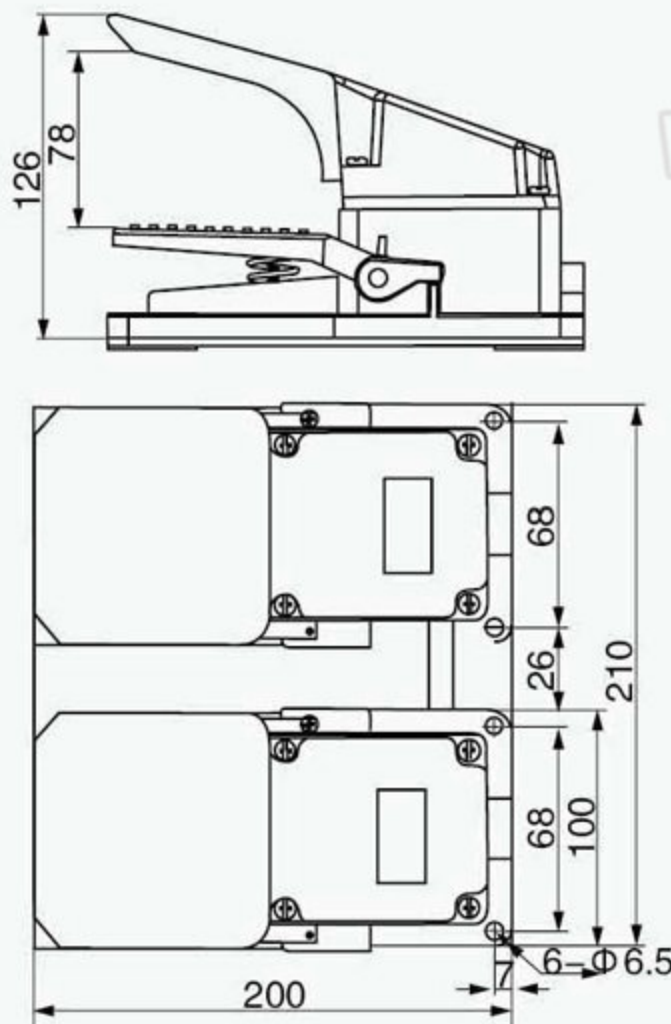
IBFS-402



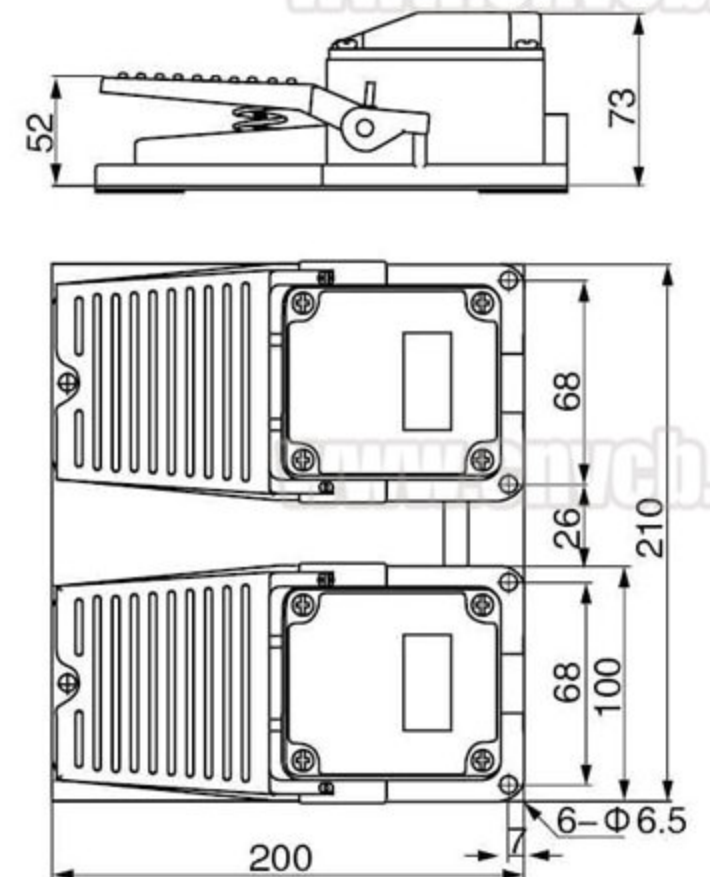
IBFS-502



IBFS-602



IBFS-702



IBFS-802